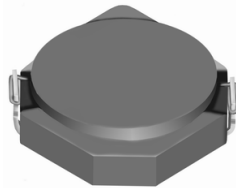


# SMD Power Inductor CDRH3D11/HP



Halogen  
Free



## Description

- Ferrite drum core construction.
- Magnetically shielded.
- L × W × H: 4.0 × 4.0 × 1.2 mm Max.
- Product weight: 55mg(Ref.)
- Moisture Sensitivity Level: 1
- RoHS compliance.
- Halogen Free available.

## Environmental Data

- Operating temperature range: -40°C~+105°C (including coil's self temperature rise)
- Storage temperature range: -40°C~+105°C
- Solder reflow temperature: 260 °C peak.

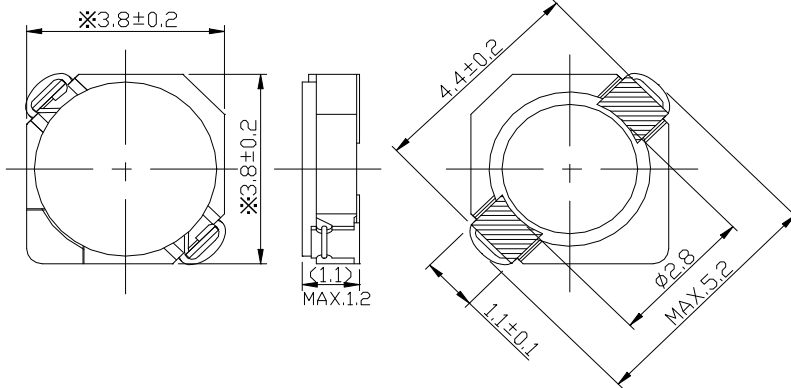
## Packaging

- Carrier tape and reel packaging
- 7.0" diameter reel
- 1000pcs per reel

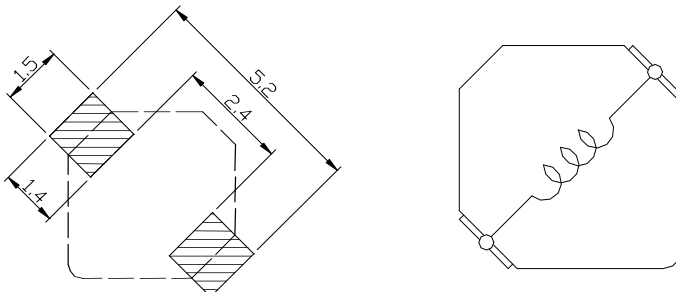
## Applications

- Ideally used in Mobile phone, PDA, MP3, DSC/DVC, Portable DVD, etc as DC-DC converter inductors.

## Dimension - [mm]



## Land pattern and Schematics - [mm]



# SMD Power Inductor

## CDRH3D11/HP



### Electrical Characteristics

Part Name	Stamp	Inductance ( $\mu$ H) [ within ] ※1	D.C.R. (m $\Omega$ ) Max. (Typ.) (at 20°C)	Saturation Current (A) ※2		Temperature Rise Current (A) ※3
				at 20°C	at 105°C	
CDRH3D11HPNP-0R6NC	A	0.6 $\pm$ 25%	59(45)	2.90	2.10	1.80
CDRH3D11HPNP-1R2NC	B	1.2 $\pm$ 25%	82(63)	2.00	1.50	1.70
CDRH3D11HPNP-1R5NC	C	1.5 $\pm$ 25%	104(80)	1.85	1.40	1.45
CDRH3D11HPNP-2R2NC	D	2.2 $\pm$ 25%	143(110)	1.60	1.20	1.15
CDRH3D11HPNP-3R3NC	E	3.3 $\pm$ 25%	182(140)	1.25	0.90	0.95
CDRH3D11HPNP-4R7NC	F	4.7 $\pm$ 25%	234(180)	1.00	0.70	0.90
CDRH3D11HPNP-6R8NC	G	6.8 $\pm$ 25%	377(290)	0.85	0.63	0.70
CDRH3D11HPNP-100NC	H	10.0 $\pm$ 25%	413(330)	0.80	0.60	0.60
CDRH3D11HPNP-120NC	I	12.0 $\pm$ 25%	585(470)	0.64	0.45	0.48
CDRH3D11HPNP-150NC	J	15.0 $\pm$ 25%	653(520)	0.58	0.42	0.45
CDRH3D11HPNP-180NC	K	18.0 $\pm$ 25%	888(710)	0.52	0.40	0.40
CDRH3D11HPNP-220NC	L	22.0 $\pm$ 25%	1012(810)	0.45	0.35	0.33

※1. Inductance measuring condition: at 100kHz.

※2. Saturation current: The value of D.C. current when the inductance decreases to 65% of it's nominal value.

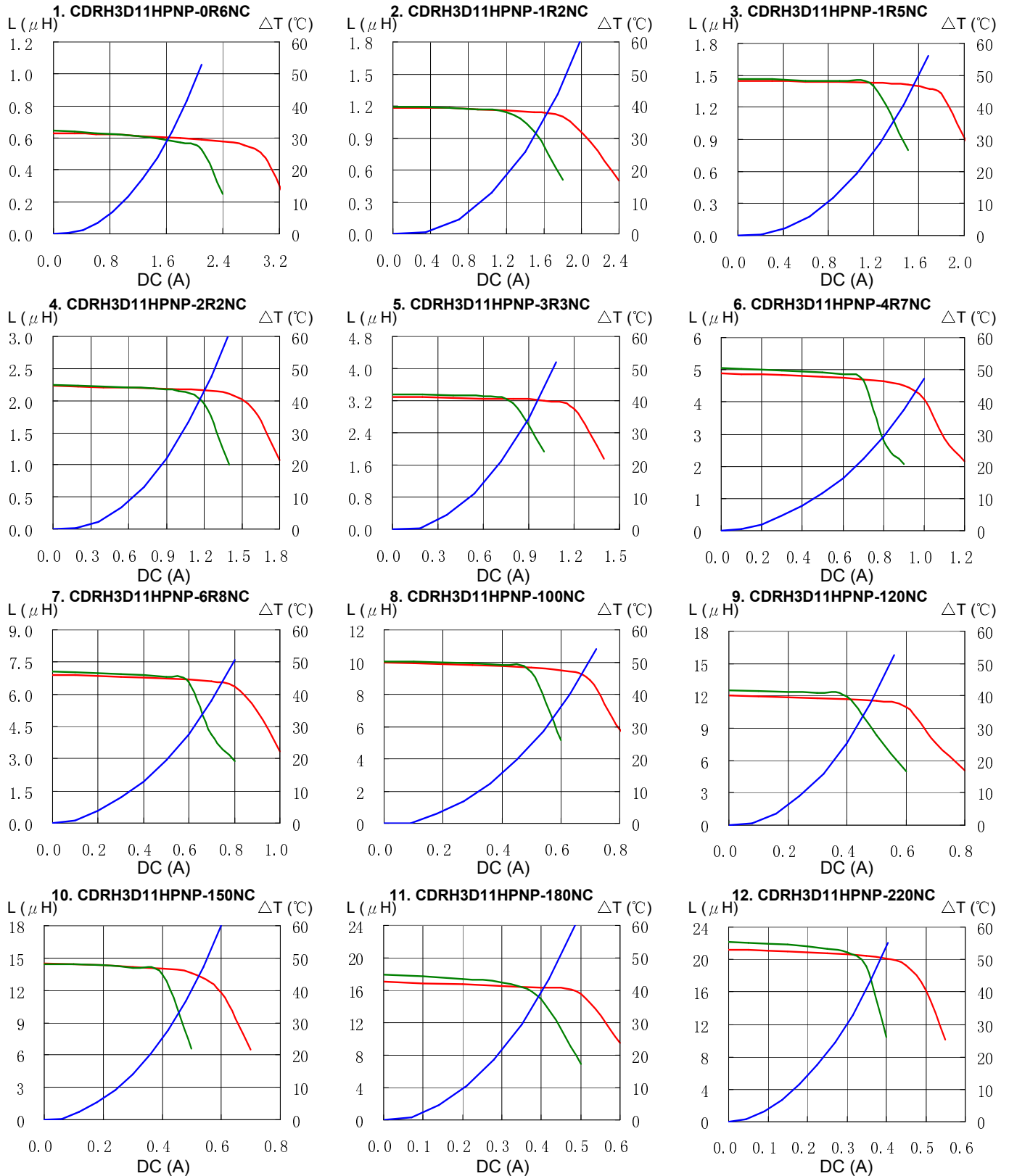
※3. Temperature rise current: The value of D.C. current when the temperature rise is  $\Delta t=40^{\circ}\text{C}$  ( $T_a=20^{\circ}\text{C}$ ).

# SMD Power Inductor CDRH3D11/HP



## Saturation Current & Temperature Rise Graph

— L (20°C) — L (105°C) —  $\Delta T$



# SMD Power Inductor CDRH3D11/HP



## Solder Reflow Condition

