

LF Receiver Antenna CAD8D25



Description

- Compact LF receiver antenna.
- Low profile.
- L × W × H: 8.2 × 7.8x 2.6 mm Max.
- Product weight:0.46g Ref..
- RoHS compliance.

Environmental Data

- Operating temperature range: -40°C~+85°C
- Storage temperature range: -40°C~+125°C

Packaging

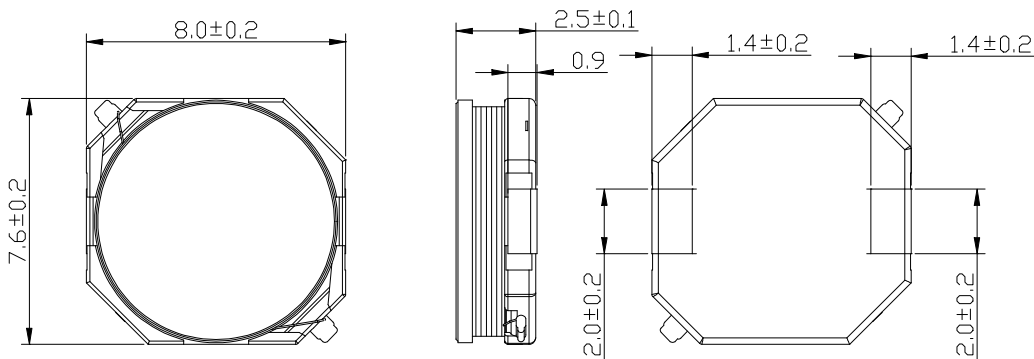
- Carrier Tape and Reel.
- Tape specification according to EIA481.
- 1000pcs/reel.

Applications

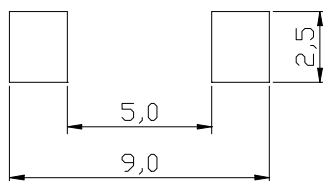
- PEPS, Smart key system.
- Security system



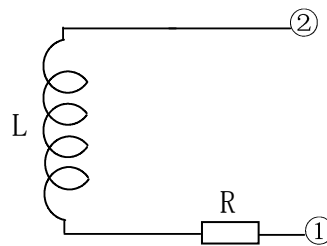
Dimension - [mm]



Suggest PCB layout - [mm]

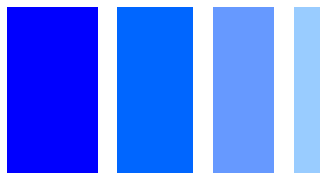


Schematic diagram



L: Ferrite core coil inductance.
R: Copper resistance.

LF Receiver Antenna CAD8D25



Electrical Characteristics

No.	Part No.	Stamp	Inductance(1-2)		Unloaded Q Min.	SRF Min.(kHz)
			(mH)	Within		
01	CAD8D25-232	232	2.36	±4%	45	500
02	CAD8D25-472	472	4.7	±4%	45	500
03	CAD8D25-682	682	6.8	±4%	45	500
04	CAD8D25-722	722	7.2	±4%	45	500
05	CAD8D25-103	103	10.0	±4%	45	500
06	CAD8D25-163	163	16.3	±4%	45	500

* It is possible for different inductance value.